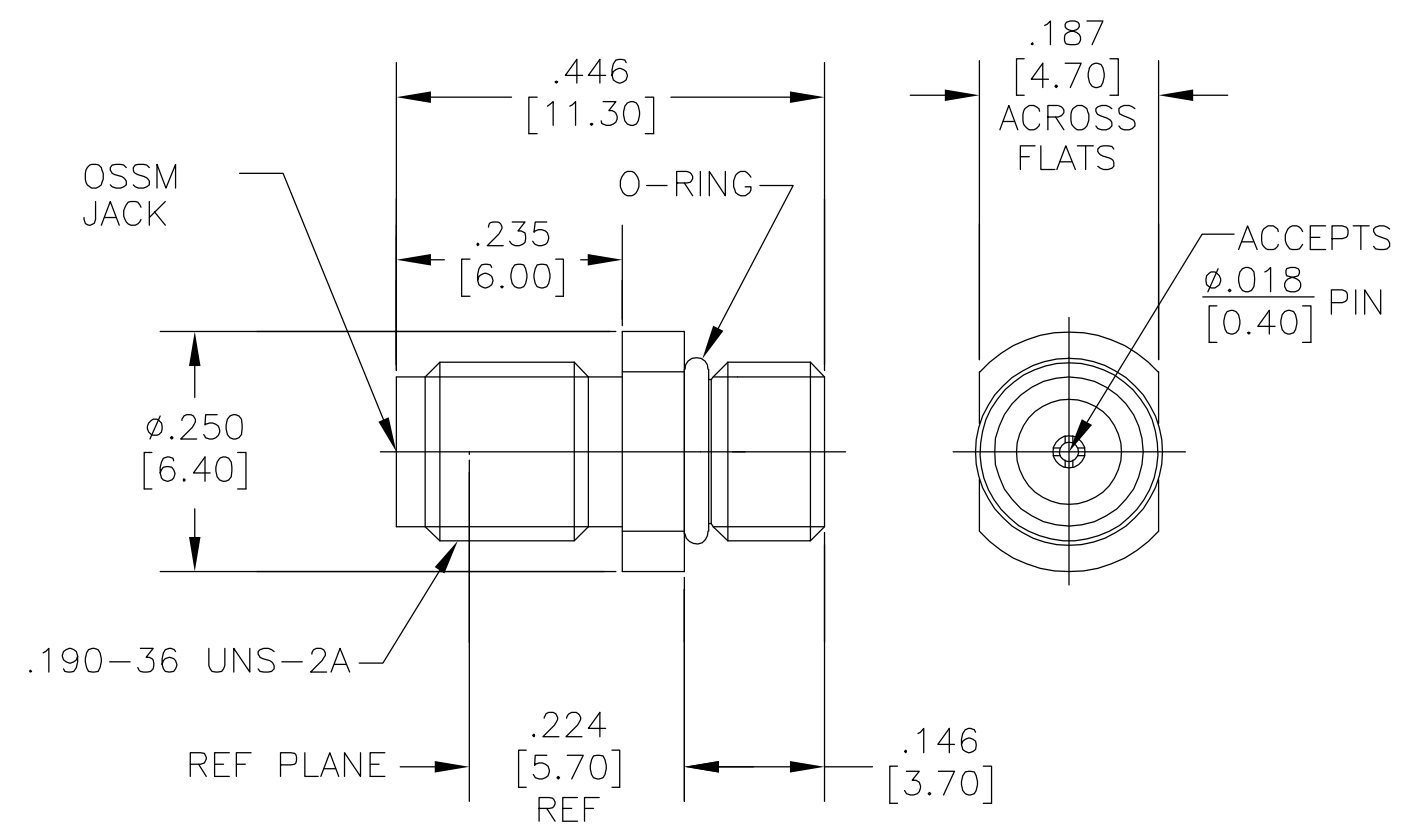


THIS DRAWING IS UNPUBLISHED.		RELEASED FOR PUBLICATION	
© COPYRIGHT - BY TYCO ELECTRONICS CORPORATION.		ALL RIGHTS RESERVED.	
ELECTRICAL	MECHANICAL	ENVIRONMENTAL	
Nominal Impedance (Ohms) 50	Interface Dimensions MIL-STD-348A, Fig. 319.2	TEMPERATURE RATING -65°C TO +125°C	
Frequency Range (GHz) DC to 28	Recommended Mating Torque 5 in-lbs	Vibration MIL-STD-202, Method 204, Condition D.	
Volt Rating (VRMS MAX) @ Sea Level 335	Mating Characteristics: Insertion (MAX Lbs) 3.0	Shock MIL-STD-202, Method 213, Condition I.	
VSWR 1.05 + .01 f(GHz)	Withdrawal (MIN Oz) 1.0	Thermal Shock MIL-STD-202, Method 107, Condition B.	
Insertion Loss (dB MAX) .04 √f(GHz)	Force to Engage and Disengage (In-Lbs MAX) 2.0	Moisture Resistance MIL-STD-202, Method 106	
RF Leakage (dB MIN) [-90-f(GHz)]	Center Contact Captivation Axial (Lbs) 6.0	Corrosion - MIL-STD-1344, Method 1001, Condition C, (500 hours).	
Corona, 70,000 Ft (VRMS MIN) 190	Radial (In-Oz) N/A		
Dielectric Withstanding Voltage (VRMS MIN) @ Sea Level 675	Cable Retention Axial Force (Lbs) N/A		
Contact Resistance (Milliohms MAX) Center Contact 6.0	Torque (In-Oz) N/A		
Outer Contact 3.0	Weight (Grams) TBD		
Cable to Housing N/A			
RF High Potential @ Sea Level (VRMS MIN @ 5 MHz) 500			
I.R.(Megohms MIN) 5,000			

.XXX = in  
XX.X = mm (REF)

LOC	DIST	P	LTR	DESCRIPTION	DATE	DWN	APVD
-	-		B	REV PER ECO-07-001478	06FEB07	PY	RG



1049084 -1 AS SHOWN

COMPONENT	MATERIAL	FINISH
HOUSING	STAINLESS STEEL PER ASTM-A484 AND ASTM-A582, TYPE 303	PASSIVATE PER QQ-P-35
DIELECTRIC	TFE FLUOROCARBON PER ASTM-D-1457	N/A
CENTER CONTACT	BERYLLIUM COPPER PER ASTM-B-196 OR ASTM-B-197 ALLOY C17300, CONDITION H	GOLD PLATE PER MIL-G-45204
O-RING	FLUOROCARBON RUBBER PER MIL-R-83248	N/A

WARNING: THIS DOCUMENT CONTAINS TECHNICAL DATA WHOSE EXPORT IS RESTRICTED BY THE ARMS EXPORT CONTROL ACT (TITLE 22, U.S.C. SECTION 2751, ET SEQ.) OR THE EXPORT ADMINISTRATION ACT OF 1979, AS AMENDED (TITLE 50, U.S.C., APP. 2401 ET SEQ.) VIOLATIONS OF THESE EXPORT LAWS ARE SUBJECT TO SEVERE PENALTIES.

THIS DRAWING IS A CONTROLLED DOCUMENT.		DWN P. YEAGER 05FEB2007	Tyco Electronics Corporation Harrisburg, PA 17105-3608	
DIMENSIONS: INCHES		CHK R. GROSS 06FEB07		
TOLERANCES UNLESS OTHERWISE SPECIFIED:		APVD R. GROSS 06FEB07	NAME OSSM PANEL FEED THRU JACK RECEPTACLE ACCEPTS .018 DIA PIN	
		PRODUCT SPEC	SIZE A3 CAGE CODE 00779 DRAWING NO C-1049084 RESTRICTED TO -	
MATERIAL SEE TABLE		APPLICATION SPEC	WEIGHT -	
FINISH SEE TABLE		RESTRICTED CUSTOMER	SCALE 10:1 SHEET 1 OF 1 REV B	